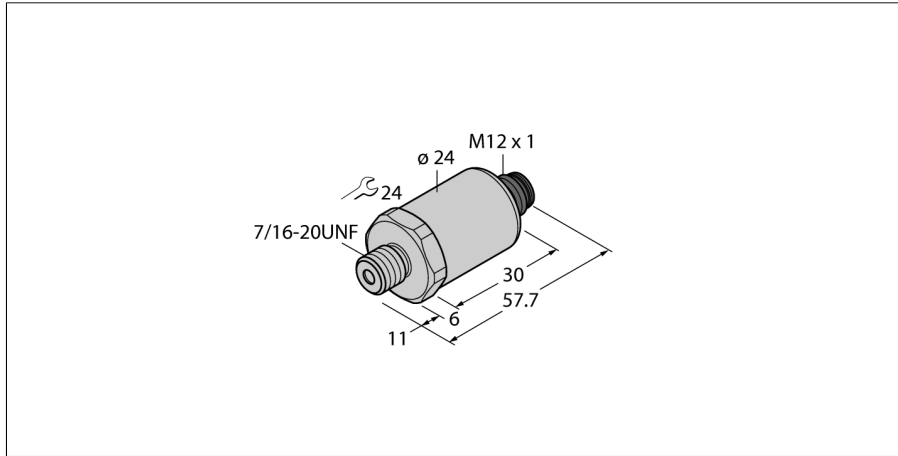
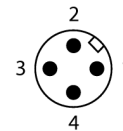
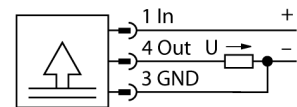


**Pressure Transmitter**  
**With Voltage Output (3-wire)**  
**PT5000PSIG-2005-U3-H1143/X**



- Fully welded metal measuring cell
- Pressure range 0...5000 psi rel.
- Pressure tip orifice
- 7...33 VDC
- Analog output 0...5 V
- Process connection 7/16" UNF (SAE) male thread
- Plug-in device, M12 × 1

**Wiring Diagram**



**Functional principle**

The pressure sensors of the PT...-2000 series operate with a fully welded metal measuring cell. Depending on the sensor variant, the processed signal is available as an analog output signal of either (4...20 mA (2-wire) or 0...10 V, 0...5 V, 1...6 V (3-wire)).

<b>Type designation</b>	PT5000PSIG-2005-U3-H1143/X
Ident-No.	100001237
<b>Pressure range</b>	
Relative pressure	0...344.74 bar rel. 0...5000 psi 0...34.47 MPa
Admissible overpressure	≤ 1034.21 bar
Burst pressure	≥ 2068.43 bar
Response time	< 2 ms, typ. 1 ms
Long-term stability	0.25% FS, according to IEC EN 60770-1
<b>Power supply</b>	
Operating voltage	7...33 VDC
Current consumption	≤ 7 mA
Short-circuit/reverse polarity protection	yes / yes
Protection type and class	IP67 / III
Insulation voltage	750 VDC
<b>Outputs</b>	
Output 1	Analog output
<b>Analog output</b>	
Voltage output	0...5V
Operating range	0...5 V (3-wire)
Load	≤ 100 nF/>10 kΩ
Accuracy LHR analog output	± 0.3 % FS BSL
<b>Temperature behaviour</b>	
Medium temperature	-40...+135 °C
Temperature coefficient	± 0.2 % of full scale/10 K
<b>Ambient conditions</b>	
Ambient temperature	-30...+85 °C
Storage temperature	-50...+100 °C
Vibration resistance	20 g, 15...2000 Hz, 15...25 Hz with amplitude +/-15 mm acc. to IEC 68-2-6
Shock resistance	100 g, 11 ms, half sinusoidal curve, all 6 directions, free fall from 1 m onto concrete (6x) , acc. to IEC 68-2-27

<b>Housing</b>	
Housing material	Stainless-steel/Plastic, 1.4404 (316L)/ Polyarylamide 50 % GF UL 94 V-0
Pressure connection material	Stainless steel 1.4404 (AISI 316L)
Pressure transducer material	Stainless steel 1.4435/AISI 316L
Process connection	7/16"-20 UNF
Wrench size pressure connection / coupling nut	24
Electrical connection	Connector, M12 × 1
Max. tightening torque housing nut	20 Nm

## Pressure Transmitter With Voltage Output (3-wire) PT5000PSIG-2005-U3-H1143/X

---

**Reference conditions acc. to IEC 61298-1**

Temperature	15...+25 °C
Atmospheric pressure	860...1060 hPa abs.
Humidity	45...75 % rel.
Auxiliary power	24 VDC

---

<b>MTTF</b>	1238 years acc. to SN 29500 (Ed. 99) 40 °C
-------------	--------------------------------------------